
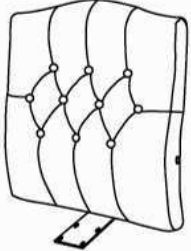
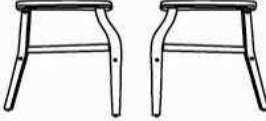
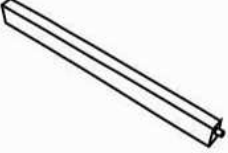
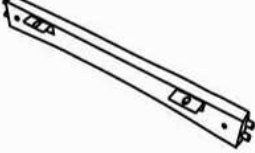
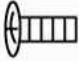
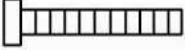
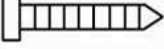

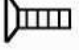
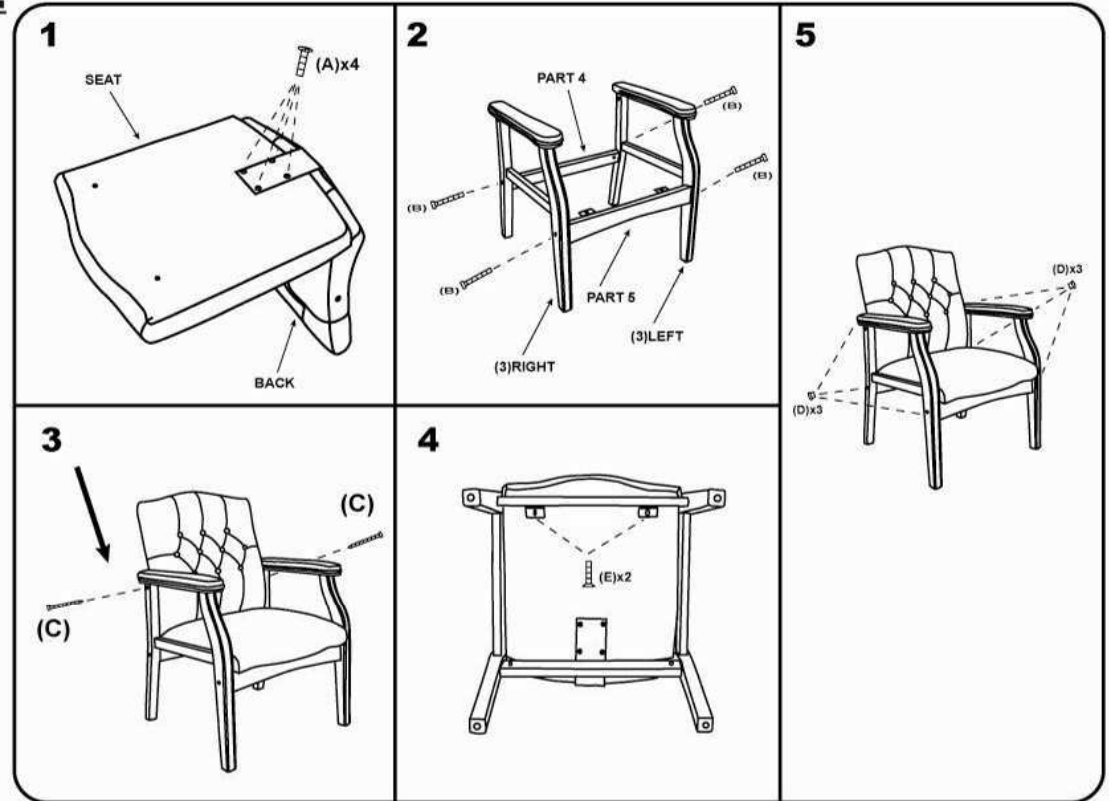


**Please unscrew all hardware from cushion before assembly.**  
**Por favor de destornillar todos los tornillos del cojín antes de ensamblar la silla.**

MODEL : B 969

(1)x1	(2)x1	(3)x1 (L)x1 (R)
		
Seat	Back	Right & Left Frame
(4)x1	(5)x1	
		
Back Bar	Front Bar	
(A)x4  M6*25 BACK BAR SCREW		
(B)x4  M6*65 FRAME SCREW		
(C)x2  M6*55 ARM SCREW		
(D)x6  WOOD CAP		
(E)x2  M6*20 SEAT SCREW		



**NOTE: Before insert all 6 (D) wood caps to screw holes:**  
 1. Lightly tighten the screws indicate on step 2 & step 3.  
 2. Tighten ALL 6 screws on step 5, then insert ALL 6 (D) wood caps to finish.

**Insert and loosely tighten all screws. When assembly is completed, fully tighten all screws before using. This chair is only intended for sitting. Any other use will void the warranty.**

