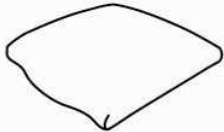
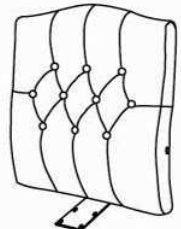

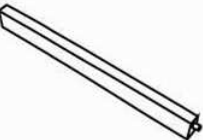
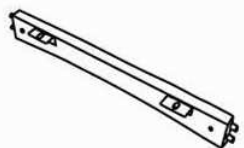

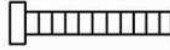
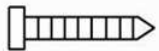


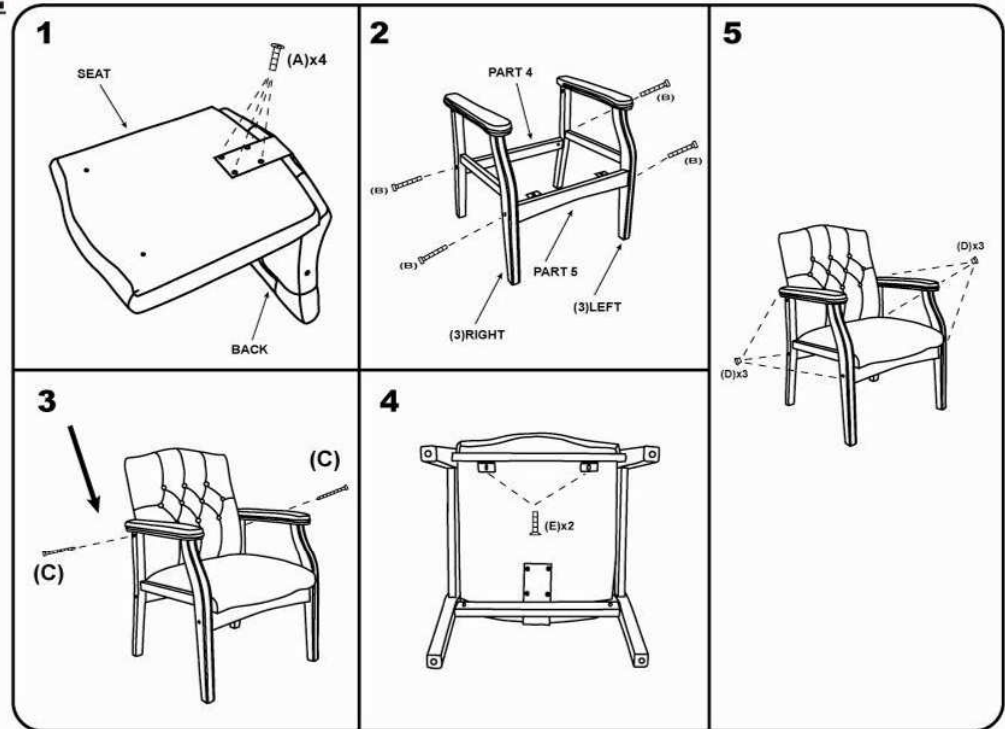


**Please unscrew all hardware from cushion before assembly.**  
**Por favor de destornillar todos los tornillos del cojín antes de ensamblar la silla.**

MODEL : B959

(1)x1	(2)x1	(3)x1 (L)x1 (R)
		
Seat	Back	Right & Left Frame
(4)x1	(5)x1	
		
Back Bar	Front Bar	
(A)x4 	M6*25 BACK BAR SCREW	
(B)x4 	M6*65 FRAME SCREW	
(C)x2 	M6*55 ARM SCREW	
(D)x6 	WOOD CAP	
(E)x2 	M6*20 SEAT SCREW	



**NOTE:** Before insert all 6 (D) wood caps to screw holes:  
 1. Lightly tighten the screws indicate on step 2 & step 3.  
 2. Tighten ALL 6 screws on step 5, then insert ALL 6 (D) wood caps to finish.

**Insert and loosely tighten all screws. When assembly is completed, fully tighten all screws before using. This chair is only intended for sitting. Any other use will void the warranty.**

