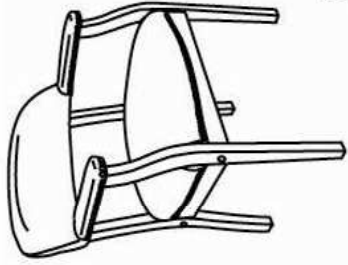


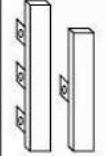


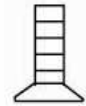


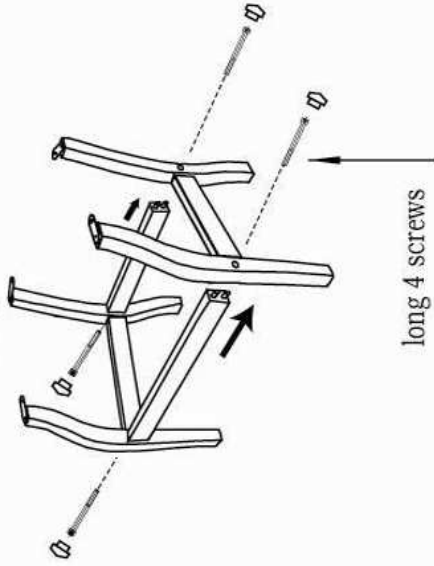
# ASSEMBLY INSTRUCTIONS



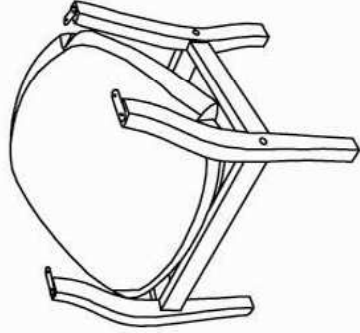
Model No: B9540

Parts List	QTY
 Back	1PC
 Frame	2PCS
 Long (Front) Short (Back)	2PCS
 Cushion	1PC
 Wood Cap Long screw	4PCS
 Short screw	8PCS

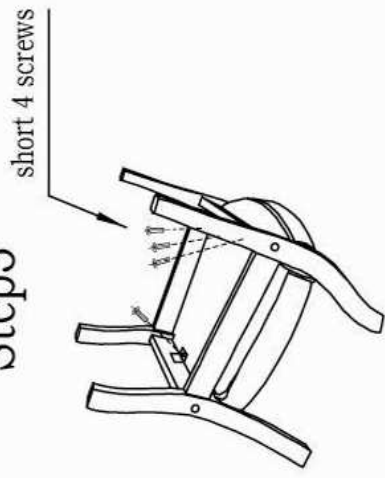
Step1



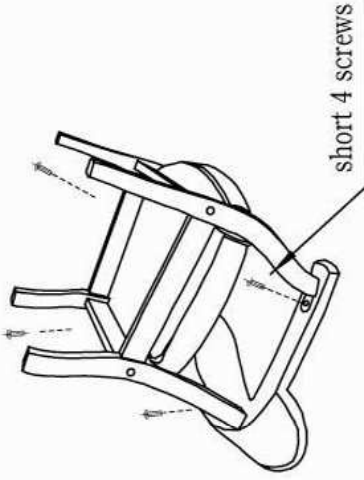
Step2



Step3



Step4



STEP1: Do not tighten screws leave loose until step2.  
STEP2: Place seat cushion inside frame, screw cushion in, then tighten frame (long screws) and seat (short screws).  
NOTE: Please make sure all screws are completely tightened.

**Insert and loosely tighten all screws. When assembly is completed, fully tighten all screws before using. This chair is only intended for sitting. Any other use will void the warranty.**

**Please unscrew all hardware from cushion before assembly.**

**Por favor de destornillar todos los tornillos del cojín antes de ensamblar la silla.**